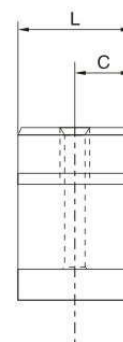
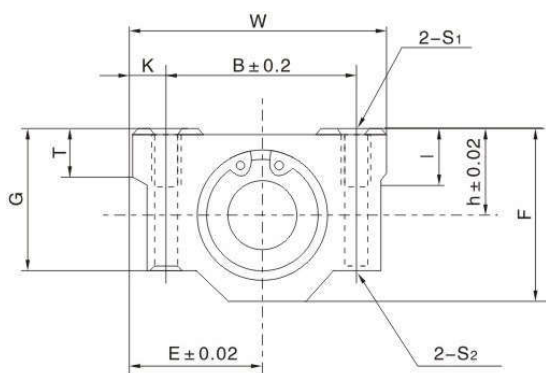


Box style linear sliding
SC...VUU



Model NO.	Shaft Diameter	Dimensions (mm)							Mounting dimensions					Weight (kg/m)	
		h	E	W	L	F	G	T	B	C	K	S ₁	S ₂		I
SC8VUU	8	11	17	34	15.5	22	18	6	24	7.75	5	M4	3.4	8	0.027
SC10VUU	10	13	20	40	20	26	21	8	28	10	6	M5	4.3	12	0.053
SC12VUU	12	15	21	42	21	28	24	8	30.5	10.5	5.75	M5	4.3	12	0.06
SC13VUU	13	15	22	44	20.6	30	24.5	8	33	10.3	5.5	M5	4.3	12	0.064
SC16VUU	16	19	25	50	24.1	38.5	32.5	9	36	12.05	7	M5	4.3	12	0.11
SC20VUU	20	21	27	54	28.1	41	35	11	40	14.05	7	M6	5.2	12	0.144
SC25VUU	25	26	38	76	38	51.5	42	12	54	19	11	M8	7	18	0.34
SC30VUU	30	30	39	78	39	59.5	49	15	58	20.75	10	M8	7	18	0.424
SC35VUU	35	34	45	90	45	68	54	18	70	22.75	10	M8	7	18	0.626
SC40VUU	40	40	51	102	51	78	62	20	80	28.25	11	M10	8.7	25	1.0
SC50VUU	50	52	61	122	69	102	80	25	100	34.5	11	M10	8.7	25	2.1