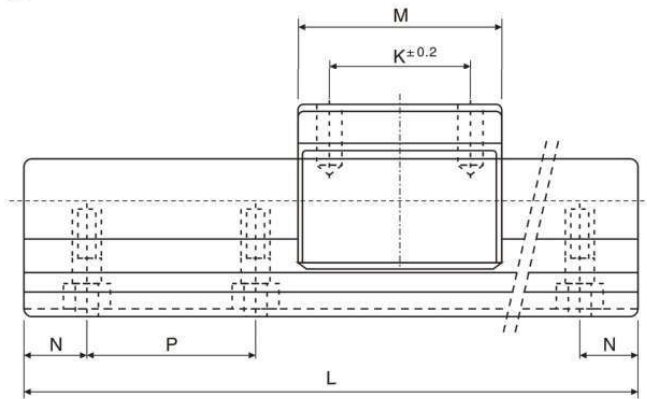
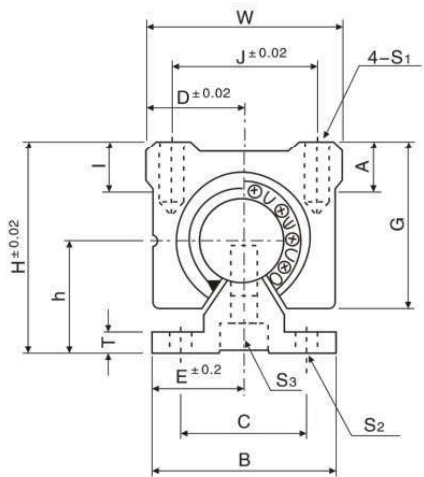




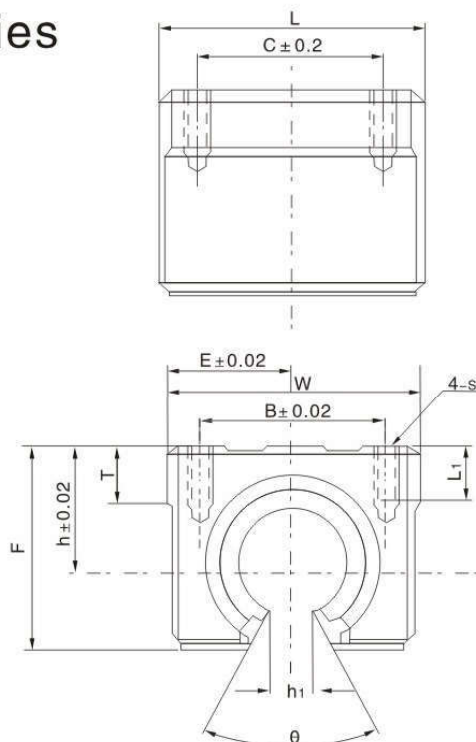
Linear motion ball slide units series SBR



Model No.		Shaft diameter	Rated Load		Weight		Size (mm)			
unit	block		Dynamic Load Ca	Static Load Coa	Slide(kgf)	orbital(kgf)	D	h	H	E
SBR12S	SBR12UU	φ 12	600	1020	0.1	1.60	20.5	22.5	40	15
SBR16S	SBR16UU	φ 16	770	1170	0.15	2.55	22.5	25	45	20
SBR20S	SBR20UU	φ 20	860	1370	0.20	3.50	24	27	50	22.5
SBR25S	SBR25UU	φ 25	980	1560	0.45	5.30	30	38	60	27.5
SBR30S	SBR30UU	φ 30	1560	2740	0.63	7.40	35	37	70	30
SBR35S	SBR35UU	φ 35	1660	3130	0.95	10.05	40	43	80	32.5
SBR40S	SBR40UU	φ 40	2150	4010	1.33	13.10	45	48	90	37.5
SBR50S	SBR50UU	φ 50	3820	7930	3.00	20.65	60	62	115	47.5

Model No.	Size (mm)												
	W	G	A	B	T	M	S ₃	J	K	S ₂	C	S ₁	P
SBR12S	41	28	9	30	4	39	M4X16	28	26	φ 4.0	22	M5	100
SBR16S	45	33	9	40	5	45	M6X20	32	30	φ 5.5	30	M5	150
SBR20S	48	39	11	45	5	50	M6X20	35	35	φ 5.5	30	M6	150
SBR25S	50	47	14	55	6	65	M6X25	40	40	φ 6.6	35	M6	200
SBR30S	70	56	15	60	7	70	M8X30	50	50	φ 6.6	40	M8	200
SBR35S	80	63	18	65	8	80	M8X35	55	55	φ 9	45	M8	200
SBR40S	90	72	20	75	9	90	M8X40	65	65	φ 9	55	M10	200
SBR50S	120	90	25	95	11	110	M10X50	94	80	φ 11	70	M10	200

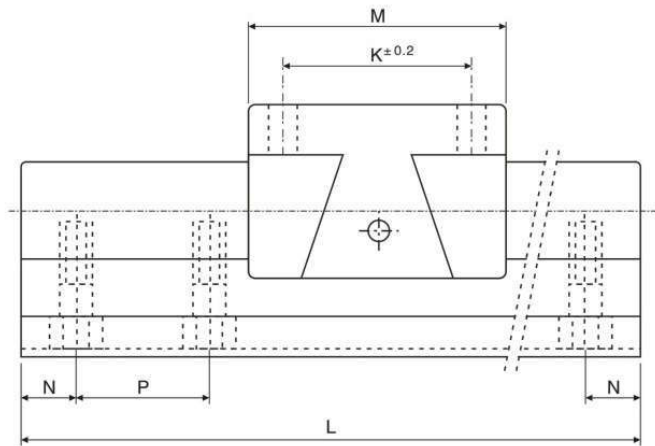
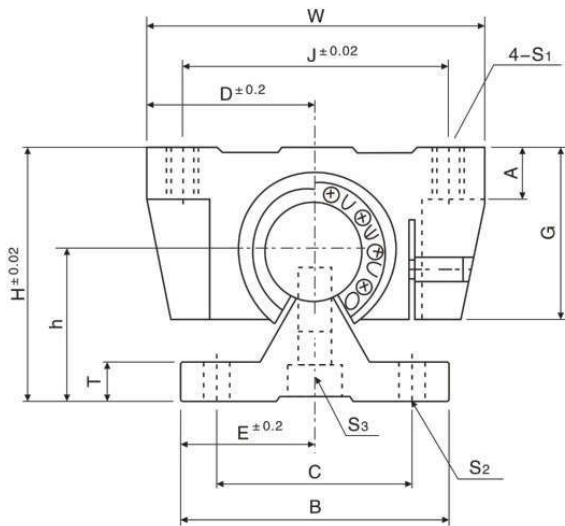
Linear motion ball slide units series **SBR...UU SBR...LUU**



Unit Designation	Dimensions (mm)												Slide bush			weight (kg/m)
	h	E	W	L	F	h ₁	θ	B	C	S	L ₁	T	Designation	Basic load rating		
														dynamic C (kgf)	static Co (kgf)	
SBR 10UU	15	18	36	32	24	6	80°	25	20	M5	10	7	LM10UU-OP	372	549	65
SBR 12UU	17.5	20.5	41	39	28	7.5	80°	28	26	M5	10	9	LM12UU-OP	420	610	100
SBR 13UU	17	20	40	39	27.6	8.5	80°	28	28	M5	10	8	LM13UU-OP	510	784	100
SBR 16UU	20	22.5	45	45	33	10	80°	32	30	M5	12	9	LM16UU-OP	774	1180	150
SBR 20UU	23	24	48	50	39	10	60°	35	35	M6	12	11	LM20UU-OP	882	1370	200
SBR 25UU	27	30	60	65	47	11.5	50°	40	40	M6	12	14	LM25UU-OP	980	1570	450
SBR 30UU	33	35	70	70	56	14	50°	50	50	M8	18	15	LM30UU-OP	1570	2740	630
SBR 35UU	37	40	80	80	63	16	50°	55	55	M8	18	18	LM35UU-OP	1670	3140	925
SBR 40UU	42	45	90	90	72	19	50°	65	65	M10	20	20	LM40UU-OP	2160	4020	1330
SBR 50UU	53	60	120	110	92	23	50°	94	80	M10	20	25	LM50UU-OP	3820	7940	3000
SBR 12LUU	17.5	20.5	41	78	27	7.5	80°	28	50	M5	10	9	LM12LUU-OP	1200	2000	180
SBR 16LUU	20	22.5	45	85	33	10	80°	32	60	M5	12	9	LM16LUU-OP	1548	2360	300
SBR 20LUU	23	24	48	96	39	10	60°	35	70	M6	12	11	LM20LUU-OP	1764	2740	400
SBR 25LUU	27	30	60	130	47	11.5	50°	40	100	M6	12	14	LM25LUU-OP	1960	3140	900
SBR 30LUU	33	35	70	140	56	14	50°	50	110	M8	18	15	LM30LUU-OP	3140	5480	1260
SBR 40LUU	42	45	90	175	72	19	50°	65	140	M10	20	20	LM40LUU-OP	4320	8040	2660
SBR 50LUU	53	60	120	215	92	23	50°	94	160	M10	20	20	LM50LUU-OP	7640	15880	6000



Linear motion ball slide units series TBR

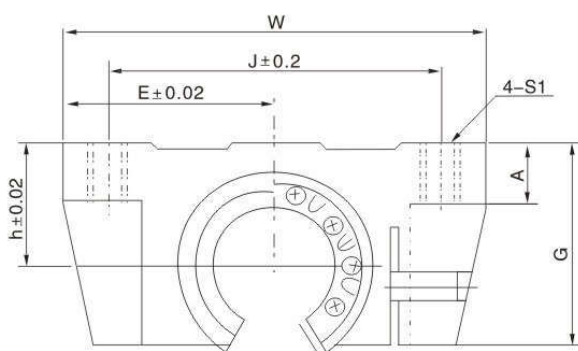
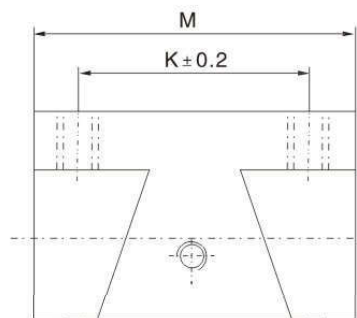


Model No.		Shaft diameter	Rated Load		Weight		Size (mm)			
unit	block		Dynamic Load Ca	Static Load Coa	Slide(kgf)	orbital(kgf)	D	h	H	E
TBR16S	TBR16UU	φ 16	392	490	0.18	2.58	31	22.14	40	25
TBR20S	TBR20UU	φ 20	784	1176	0.30	4.27	34	29.01	50	27.5
TBR25S	TBR25UU	φ 25	1568	2352	0.60	5.9	41	31.97	60	32.5
TBR30S	TBR30UU	φ 30	1764	2940	0.90	8.35	45.5	36.52	70	37.5

Model No.	Size (mm)												
	W	G	A	B	T	M	S1	J	K	S2	C	S3	P
TBR16S	62	26	8	50	6	42	M5	50	30	φ5.5	37	M6	150
TBR20S	68	31	10	55	8	51	M6	54	37	φ5.5	40	M6	150
TBR25S	82	41	12	65	10	65	M8	65	50	φ6.6	45	M6	200
TBR30S	91	48	12	75	12	75	M8	75	60	φ6.6	55	M6	200

Linear motion ball slide units series

TBR...UU TBR...LUU



Support Designation	Shaft Dimensions	Basic load rating		Dimensions (mm)								Slide bush			
		dynamic CN	static CoN	W	G	A	M	S ₁	J	K	E	h	Designation	Basic load rating dynamic CN	static CoN
TBR16UU	φ 16	392	490	62	26	8	42	M5	50	30	31	18	LM16UU-OP	392	490
TBR20UU	φ 20	784	1176	68	31	10	51	M6	54	37	34	21	LM20UU-OP	784	1176
TBR25UU	φ 25	1568	2352	82	41	12	65	M8	65	50	41	28	LM25UU-OP	1568	2352
TBR30UU	φ 30	1764	2940	91	48	12	75	M8	75	60	45.5	33.5	LM30UU-OP	1764	2940

TBR16LUU	φ 16	780	980	62	26	8	85	M5	50	60	31	18	LM16LUU-OP	392	490
TBR20LUU	φ 20	1568	2352	68	31	10	96	M6	54	70	34	21	LM20LUU-OP	784	1176
TBR25LUU	φ 25	3136	4704	82	41	12	130	M8	65	100	41	28	LM25LUU-OP	1568	2352
TBR30LUU	φ 30	3528	5880	91	48	12	140	M8	75	110	45.5	33.5	LM30LUU-OP	1764	2940